



# HOSHIZAKI

## CERTIFICATION



HACCP International



ISO9001



Compliant with IEC60335-2-89 Standard

## RT-186MC-S UNDERCOUNTER REFRIGERATOR



### Key Features



Lower running cost



Powerful cooling performance



Self Closing Door



Removal door gaskets



Round Interior Corners



Large and clear display



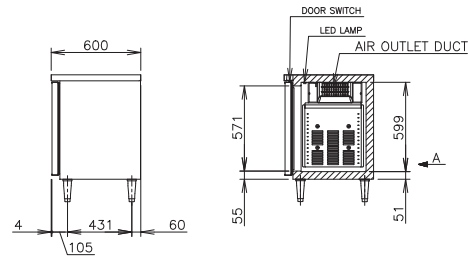
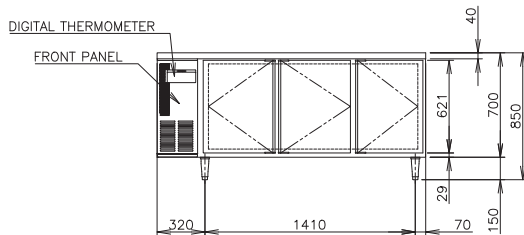
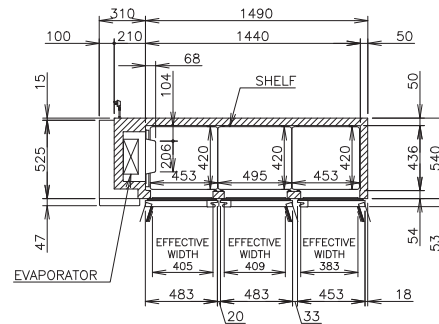
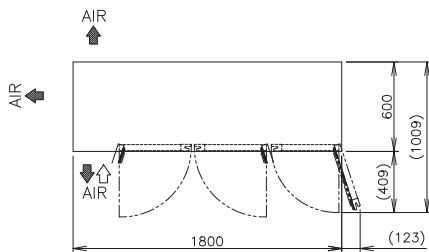
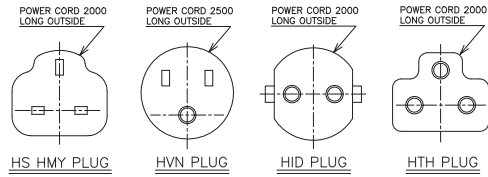
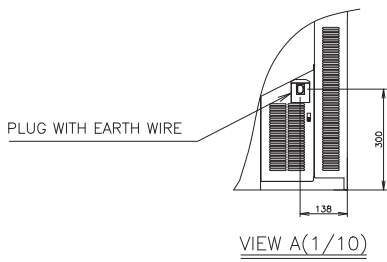
Drainage-Free Design



LED lighting



## Dimensions & Specifications



<b>MODEL</b>	<b>RT-186MC-S</b>
<b>POWER SUPPLY</b>	1 Phase 220-240V 50Hz Capacity: 0.41kVA (1.86A)
<b>ELECTRIC CONSUMPTION</b>	2.86kWh/day
<b>TEMPERATURE CONTROL</b>	-6 to 12°C
<b>STORAGE CAPACITY</b>	407L
<b>WEIGHT</b>	Net: 96kg (Gross: Approx. 108kg)
<b>OUTSIDE DIMENSIONS</b>	1800mm(W)× 600mm(D)×850(-880)mm(H)
<b>PACKAGE</b>	Carton: 1865mm(W)×680mm(D)×845mm(H)
<b>NUMBER OF SHELVES</b>	6pcs
<b>REFRIGERANT</b>	R290
<b>OPERATING CONDITIONS</b>	Ambient Temperature: 5 - 38°C, Voltage Range: Rated Voltage ±6%



# HOSHIZAKI

**HOSHIZAKI MALAYSIA SDN. BHD.**

No. 12, Jalan Penyajak U1/45B. Hicom-Glenmarie Industrial Park, 40150 Shah Alam, Selangor

TEL (+60) 3 5569 8023 <https://hoshizaki.com.my/>

